

For Precast
& Tilt-up
Construction

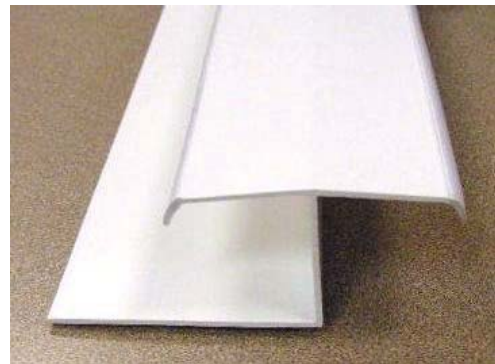


QUICK CLIP (Insulation Retaining System)

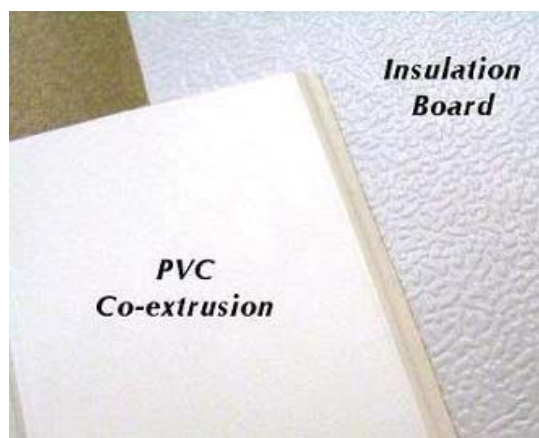
The Victory Bear Quick Clip insulation retaining system is ideal for holding insulation securely on tilt-up walls. Its quick and easy installation method helps reduce your overall costs. Its attractive finish also provides a superior look for your insulated walls.

Features & Benefits

- **Energy-Efficient Design** – Victory Bear Quick Clips have a unique co-extruded design, combining rigid and soft PVC to hold insulation tightly in place and create an **air-tight seal**.
- **Durable** – PVC is durable and will maintain its attractive finish for years!
- **Impact-Resistant** – Quick Clips withstand the impact of a nail gun without splitting.
- **Easy to Work With** – Victory Bear Quick Clips can be cut with standard power saws.
- **Attractive Finish** – Victory Bear Quick Clips are manufactured to an **attractive** white finish and do not require painting. Call for custom color applications.
- **UL Tested** – Class A material, tested by Underwriters Laboratories (UL 723--test for surface burning characteristics of building materials). Flame spread is 0 and smoke developed equals 190.



Quick Clip wall installation



Fukuvi USA, Inc.
Victory Bear Products
7631 Progress Court
CenterPoint 70 Commerce Park
Huber Heights, OH 45424

www.fukuvi-usa.com
www.victorybear.com



MADE IN USA

Customer Support
(937) 236-7288 ext. 247/231
aheskett@fukuvi-usa.com
jdresel@fukuvi-usa.com
Fax: (937) 236-7289

For Precast
& Tilt-up
Construction



QUICK CLIP (Insulation Retaining System)

Installation

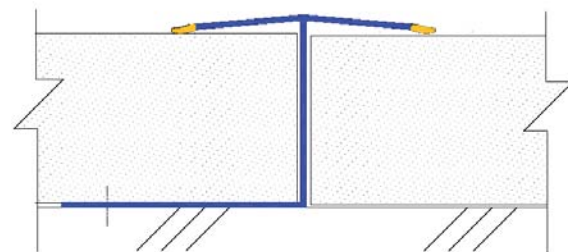
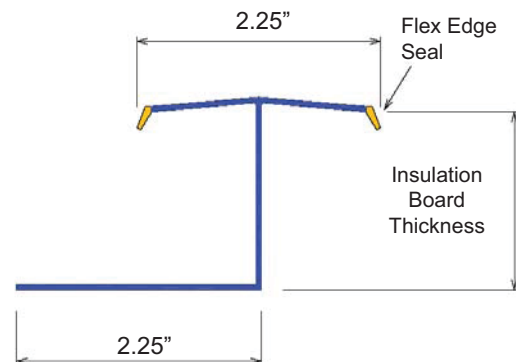
- **Step 1** – Align the Quick Clips at widths appropriate for the insulation size.
- **Step 2** – Nail or staple the Quick Clips into place.
- **Step 3** – Install the insulation.

Length: 10 feet

Coefficient of Linear Expansion:

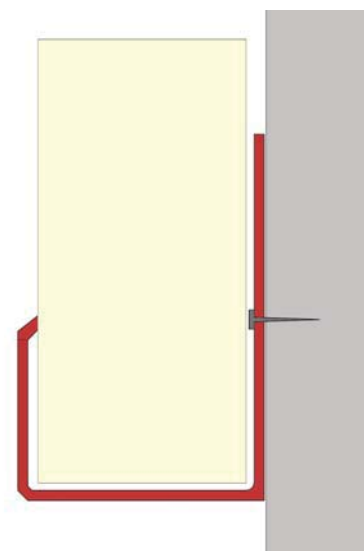
.0132 inches per degree F

Storage: Material should be stored out of direct sunlight to prevent long-term deterioration or color fading. Pieces can be stacked, but should be stored fully supported to keep them from warping.



VICTORY BEAR QUICK CLIP IS AVAILABLE FOR THE FOLLOWING INSULATION BOARD THICKNESSES:

1.0"
1.25"
1.5"
2.0"
2.5"
3.0"



Victory Bear J-Channel is an ideal way to finish edges when used with the Quick Clip system.

Fukuvi USA, Inc.
Victory Bear Products
7631 Progress Court
CenterPoint 70 Commerce Park
Huber Heights, OH 45424

www.fukuvi-usa.com
www.victorybear.com



MADE IN USA

Customer Support
Jon Dresel
(937) 236-7288 ext. 231
jdresel@fukuvi-usa.com
Fax: (937) 236-7289