



INNOVATIONS FOR LIVING™

PROPINK FastBatt® Insulation

Product Data Sheet



Description

PROPINK FastBatt is a fiber glass insulation batt with a flangeless kraft facing. This product is designed for “friction fit” application, requiring no stapling to hold the batt in the cavity. In addition the kraft facing provides a vapor retarder membrane required by most building codes.

Features and Benefits

- **Thermal and Acoustic Control**— PROPINK FastBatt delivers the full, labeled R-value, and provides excellent acoustic performance, both of which last the life of the product.
- **Long Term Performance**— PROPINK FastBatt is dimensionally stable and will not slump within the wall cavity. Due to its inorganic nature, fiber glass insulation will not rot or mildew* and is non-corrosive to steel, copper and aluminum.

*Fiber Glass and Mold: As manufactured, fiber glass insulation is resistant to mold growth. However, mold growth can occur on building materials, including insulation, when it becomes contaminated with organic material and when water is present. To avoid mold growth on fiber glass insulation, remove any water that has accumulated and correct or repair the source of that water as soon as possible. Insulation that has become wet should be inspected for evidence of residual moisture and contamination, and any insulation that is contaminated should be promptly removed and replaced.

- **Easy Installation**— PROPINK FastBatt is easy to handle and install. It is designed for friction-fit type application. Trimming and fabrication can be done with an ordinary utility knife.
- **SpaceSaver Packaging**— PROPINK FastBatt is compression packaged in exclusive *SpaceSaver* packaging from Owens Corning. *SpaceSaver* packaging reduces freight and speeds job site handling/installation.

Uses

PROPINK FastBatt is designed for installation in wood framed cavities of exterior wall assemblies.

Design Considerations

Kraft and standard foil facing will burn. Do not leave exposed. Facing must be installed in substantial contact with an approved ceiling, floor or wall material. Keep open flame and other heat sources away from facing. Do not place insulation within 3 inches of light fixtures or similar electrical devices unless device is labeled for contact with insulation. Use only unfaced insulation between wood framing and masonry chimneys. Do not use insulation in spaces around metal chimneys, fireplaces, or flues. Unfaced insulation is considered non-combustible by model building codes. Flame Spread 25 products are flame spread rated and can be left exposed where codes allow.

The kraft facing acts as a vapor retarder which is generally installed on the warm-in-winter side of the assembly, except in

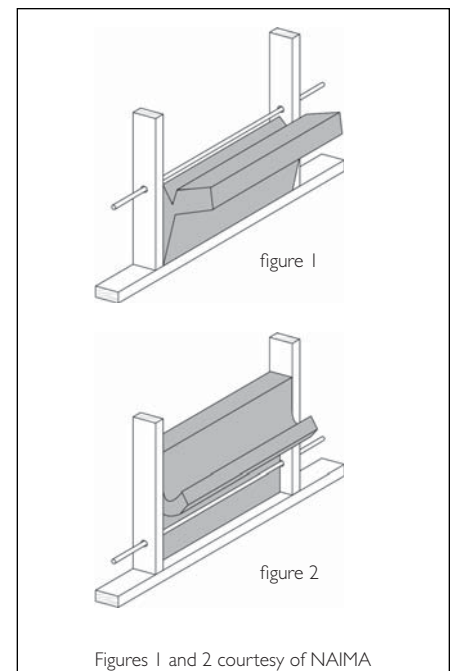
hot, humid and some cool, humid climate areas. Check the applicable building code or ask the local building official for correct placement of the vapor retarder.

Maintaining the facing integrity is important for effective moisture/humidity control. Repair any punctures or tears in the facing by taping. Follow the tape manufacturer’s application recommendations for specific surface preparation before taping.

Installation

PROPINK FastBatt insulation is designed to be friction fit and does not require stapling. It should be installed so that the cavity is completely filled, fitting snugly at the sides and ends.

The installer should ensure that the insulation is not caught on any obstructions, which might create a void or gap in the insulation.





INNOVATIONS FOR LIVING™

PROPINK FastBatt® Insulation

Product Data Sheet

For electrical boxes, the PROPINK FastBatt should be cut to fit snugly around the box. In the case of electrical wiring running through the cavity, the insulation can either be partially cut so the wiring passes through the insulation (figure 1) or split lengthwise for placement behind and in front of the wiring (figure 2).

The kraft facing on PROPINK FastBatt is 15¼" wide. This facing should be tucked neatly in the cavity, aligned with the wall framing members, or may rest against the face of the wall studs. The facing shall be in substantial contact with the gypsum wallboard.

For narrow-width cavities, the insulation should be cut about ¾" inch wider than the space to be filled. For cavities over standard width, install an Owens Corning fiber glass batt insulation of equal R-value, which completely fills the cavity.

Read this before you buy

What you should know about R-values.

The chart shows the R-value of this insulation. R means resistance to heat flow. The higher the R-value, the greater the insulating power. Compare insulation R-values before you buy.

There are other factors to consider. The amount of insulation you need depends mainly on the climate, the type and size of your house, your fuel use patterns and your family size. If you buy too much insulation, it will cost you more than you will save on fuel.

To get the marked R-value, it is essential that this insulation be installed properly.

Product Data

Specification	Standard	Value
Thermal Resistance ¹ and Dimensions	ASTM C 518 (For Thermal Resistance)	<ul style="list-style-type: none"> •R-13 @ 3 ½" x 15 ¼" x 93" •R-13 @ 3 ½" x 15 ¼" x 105" •R-15 @ 3 ½" x 15" x 93" •R-19 @ 6 ¼" x 15 ¼" x 93" •R-21 @ 5 ½" x 15" x 93"
Building Code Const. Classification:	N/A	Types III, IV, & V Types III, IV, & V Types 3, 4, and 5 Types III, IV, & V
Insulation Classification ²	ASTM C 665	Type II, Class C, Category I
Surface burning characteristics for base insulation only.	ASTM E 84 ³	<ul style="list-style-type: none"> •Flame Spread Index <25 •Smoke Developed Index <50
The facing on PROPINK FastBatt will burn and must not be left exposed		
Facer Perm Rating	ASTM E 96 ⁴	1
Water Vapor Sorption	ASTM C 1104	Less than 0.05% by volume

¹ R-values differ. Find out why in the sellers Fact Sheet on R-values. Higher R-value means greater insulating power.

² Federal Specification HH-I-521F has been canceled and is replaced by ASTM C 665.

³ ASTM Standard E 84 is used solely to measure and describe properties of products in response to heat and flame under controlled laboratory conditions, and should not be used to describe or approve the fire hazard of materials under actual fire conditions. However, the results of these tests may be used as elements of a fire risk assessment that takes into account all of the factors pertinent to an assessment of the fire hazard of a particular end use.

⁴ Desiccant method

⁵ This facing will burn. Do not leave exposed. Facing must be installed in substantial contact with an approved ceiling, floor, or wall material. Keep open flame and other heat sources away from facing. See package warnings, fire hazard and installation instructions, or call 1-419-248-8234.



May cause temporary irritation to the skin, eyes and respiratory tract. Avoid contact with eyes and skin. Wear long-sleeved, loose-fitting clothing, gloves and eye protection when handling and applying material. Wash with soap and warm water after handling. Wash work clothes separately and wipe out washer.



OWENS CORNING WORLD HEADQUARTERS
ONE OWENS CORNING PARKWAY
TOLEDO, OHIO 43659
1-800-GET-PINK
www.owenscorning.com

Pub. No. 57607-I. Printed in U.S.A. April 2006. THE PINK PANTHER™ & ©1964-2006 Metro-Goldwyn-Mayer Studios Inc. All Rights Reserved. The color PINK is a registered trademark of Owens Corning. The GREENGUARD Indoor Air Quality Certified mark is a registered certification mark used under license through the GREENGUARD Environmental Institute. ©2006 Owens Corning.

