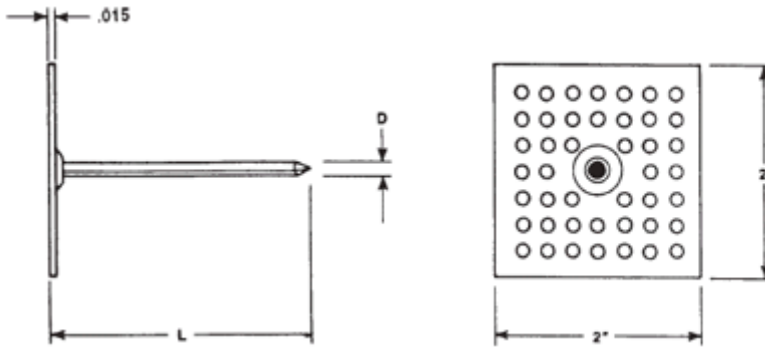


MIDWEST Fasteners, Inc.

450 Richard St. • Miamisburg, OH 45342 • PH: 800-852-8352 • FAX: (937) 866-4174

## SPINDLE

The Spindle type Insulation Anchor, or Insulation Hanger, is a fabricated 2" X 2" perforated metal base with insulation pin attached for impaling and installing various thermal and acoustical insulation materials. Popular materials for the spindle anchor are Mild Steel, Aluminum and Stainless Steel, with combinations of these materials also occurring for special applications. Typical insulation pin diameter is 12 gauge (0.105" dia.) and is used in conjunction with Self Locking Insulation Washers, or Speed Clips, and mounted using general purpose adhesive, like Midwest Fasteners IHA-177.



SIZE :        D        12 GA (.105\*) is standard.  
                              Other sizes available by special order only.  
                              1", 1-5/8", 2", 2-1/2", 3-1/2", 4-1/2", 5-1/2",  
LENGTH :    L        6-1/2", 8" and 9" are standard. Other  
                              lengths  
                              available by special order.

### PIN

MATERIAL : LOW CARBON  
STEEL

PLATING : Galvanized coating is  
standard.

### PLATE

MATERIAL : LOW  
CARBON STEEL

PLATING : Galvanized is

### OTHER MATERIALS

Also available by special order in  
all tainless steel or all Aluminum

standard.

WASHERS : Self - locking washers are available in a variety of sizes, Shapes. and materials.

TO ORDER OR SPECIFY, GIVE :

1. Product code .....IHSP
2. Size .....12 GA
3. Length .....L
4. Material .....(if other than standard)