

ORIGINAL

ACCUVENT®

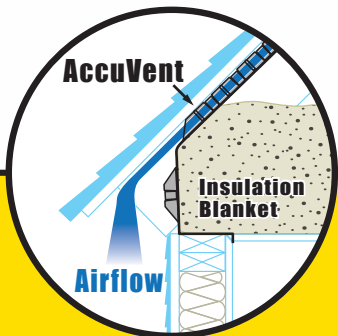
Fastest, Most Efficient Attic Ventilation System!

How Our Ventilation Systems Work!

Air enters through the soffit vent and is conducted along the roof sheathing above the insulation blanket. Not only is the soffit free from drifting insulation, but the efficient flow of air eliminates condensation and thus prevents unhealthy mold and costly ice dams.

Residential building science professionals increasingly recognize the need to provide a wind-wash barrier as part of the attic insulation job. Failing to block incoming air has the negative effect of allowing air moving through the attic insulation robbing its r-value. This results in uneconomical and uncomfortable homes, plus potentially introduces moisture where it is not needed. **AccuVent®** is made from 100% recycled PVC a self extinguishing material which easily meets E-84 class 1 requirements.

Our high quality products are backed by an in-depth technical support and reliable, responsive sales support.



The Benefits of AccuVent®

- Designed for all Attic Applications
- Provides Efficient Airflow
- Quick & Easy Installation
- Reduced Labor
- Prevents Insulation Drifting
- No Callbacks
- 100% Recycled PVC
- Meets EnergyStar Thermal Bypass Checklist Requirements
- Designed for Glass, Cellulose and Spray Foam Insulation Types



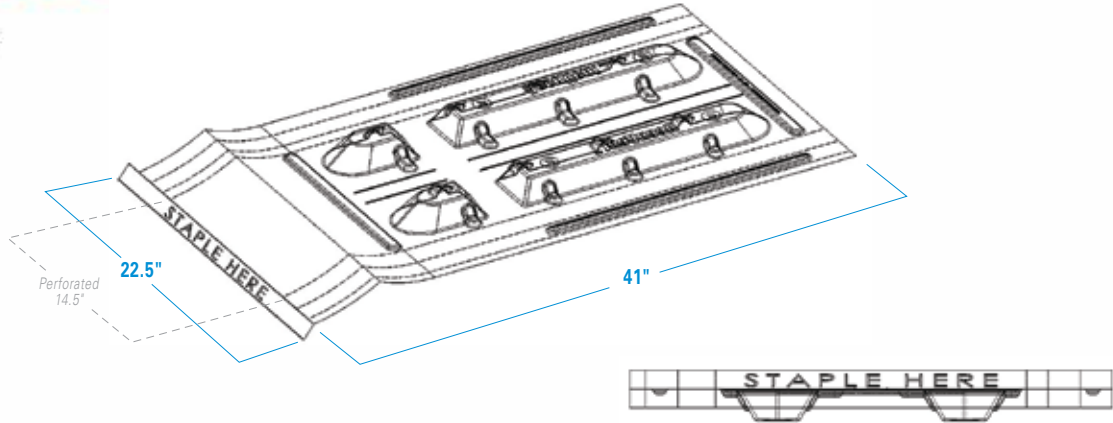
ORIGINAL

ACCUVENT®

Product Specifications

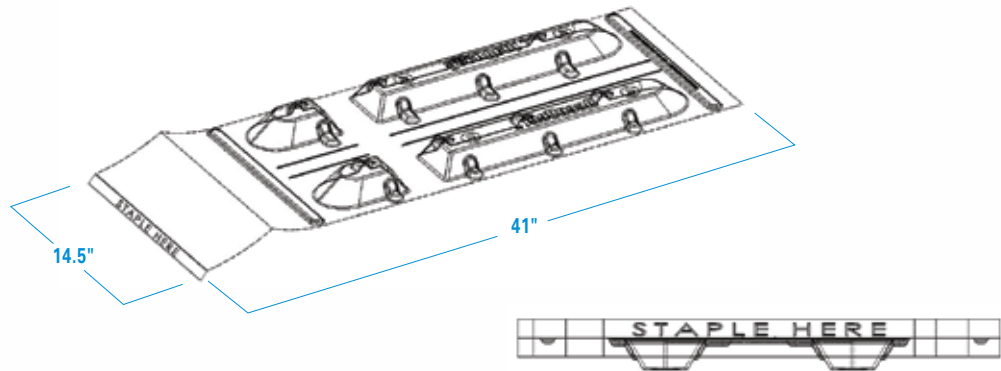
Original AccuVent® 24" o.c.

Part # ACBP11739
Attic Vent 22.5" x 41"



Original AccuVent® 16" o.c.

Part # ACBP11754
Attic Vent 14.5" x 41"



Applications Available For: Traditional Ceilings, Cathedral Ceilings, Stick-Built & Manufactured Homes.

Product Data

Material:

Active Standard: ASTM D1784-06a

Rigid Polyvinyl Chloride

Self Extinguishing, E-84 Class 1

Packaging:

50 Vents = 1 Bundle

56 Bundles = 1 Pallet

1 Pallet = 2,800 Vents



1 Pallet of AccuVent®
(2,800 Vents)



5 Pallets of Foam or
Cardboard Vents (Old Style)